



**ARROWHEAD**  
R O C K D R I L L



**R40**  
**Hydraulic Hammer**  
**Parts Manual**



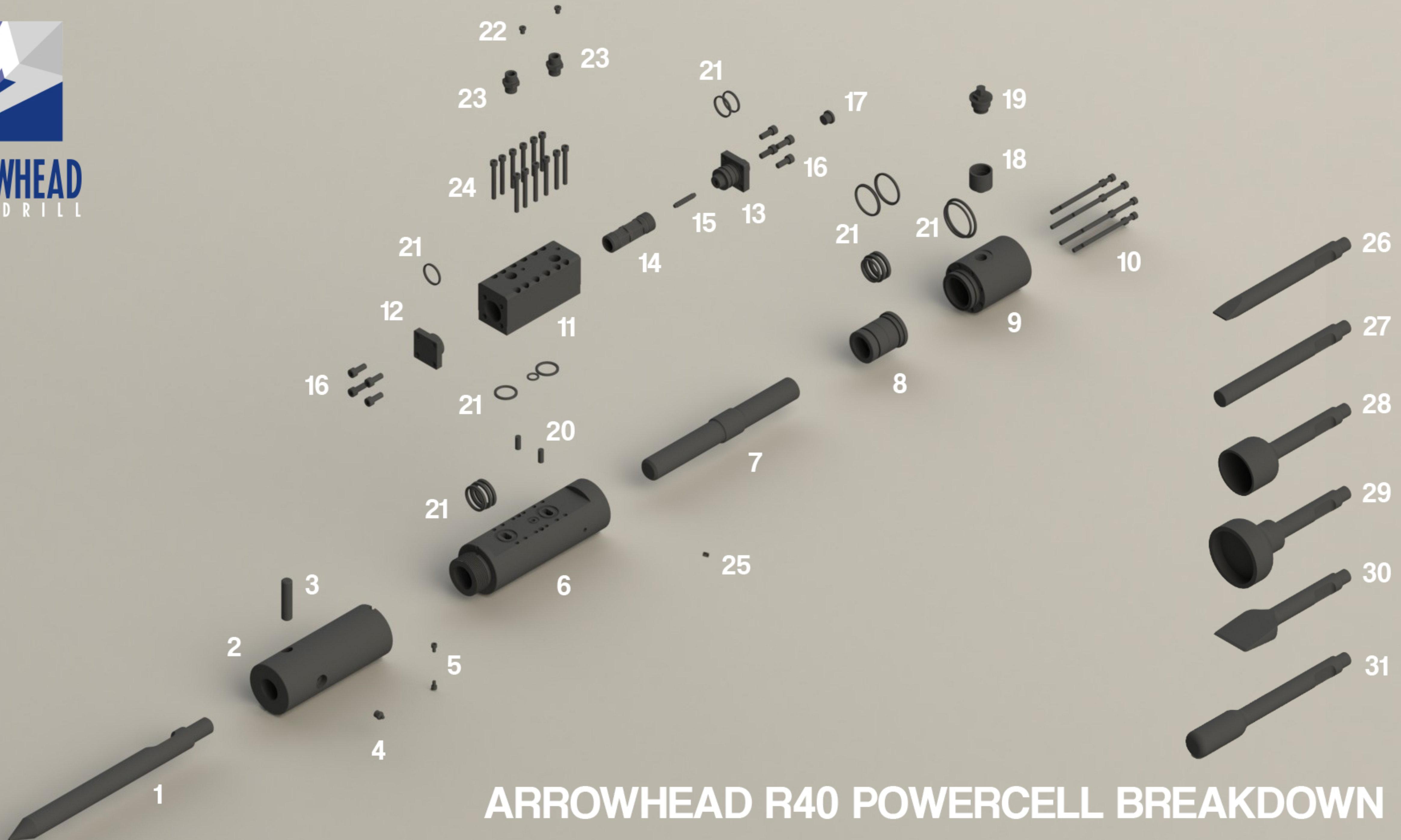
**ARROWHEAD**  
ROCK DRILL

# R40 PARTS LIST

Diagram Number	Part Number	Description	Quantity
1	1021301	Moil Point	1
2	1022102	Chuck Housing	1
3	1022311	Tool Retainer	1
4	1011104	Grease Nipple	1
5	1011389	Chuck Retaining Bolt Assembly	2
6	1022101	Main Body	1
7	1022104	Piston	1
8	1022105	Upper Cylinder Liner	1
9	1022103	Cylinder Head	1
10	1011390	Cylinder Head Bolt Assembly	8
11	1021201	Valve Housing	1
12	1021202	Valve Bottom Plate	1
13	1021203	Valve Top Plate	1
14	1021204	Valve Spool	1
15	1021205	Plunger	1
16	1011205	Valve Plate Bolts	8
17	1011201	Pressure Plug	1
18	1011113	Gas Valve Adaptor	1
19	1011105	Gas Valve Assembly	1
20	1011215	Dowel Pins	2
21	1022401	Seal Kit	1
22	1011214	Valve Housing Plug	2
23	1011304	Hose Adaptors	2
24	1011207	Valve to Body Bolts	12
25	1011117	Inspection Port Plug	1
26	1021302	Chisel	1
27	1021303	Blunt	1
28	1021304	1 Piece Post Driver	1
29	1021305	2 Piece Post Driver	1
30	1021306	Tarmac Cutter	1
31	1021307	Power Fist	1
32	1012302	Tool Retaining Rubber Doughnut	1
33	1022309	Hammer Box	1
34	1022313	Decal Set	1
35	1022310	Lower Buffer	1
36	1022315	Upper Buffer	1
37	1022312	Top Bracket	1
38	1011366	Top Bracket Bolt Assembly	6
39	1011321	Pressure Hose (Europe)	2
40	1011329	Pressure Hose (Americas)	2
41	1011112	Gas Valve Spring	1
42	1011111	Gas Valve Shuttle	1
43	1011110	Gas Valve Small O Ring	1
44	1011108	Gas Valve Large O Ring	2
45	1011109	Gas Valve Dowty Washer	1
46	1011107	Gas Valve Body	1
47	1011106	Gas Valve Dust Cap	1



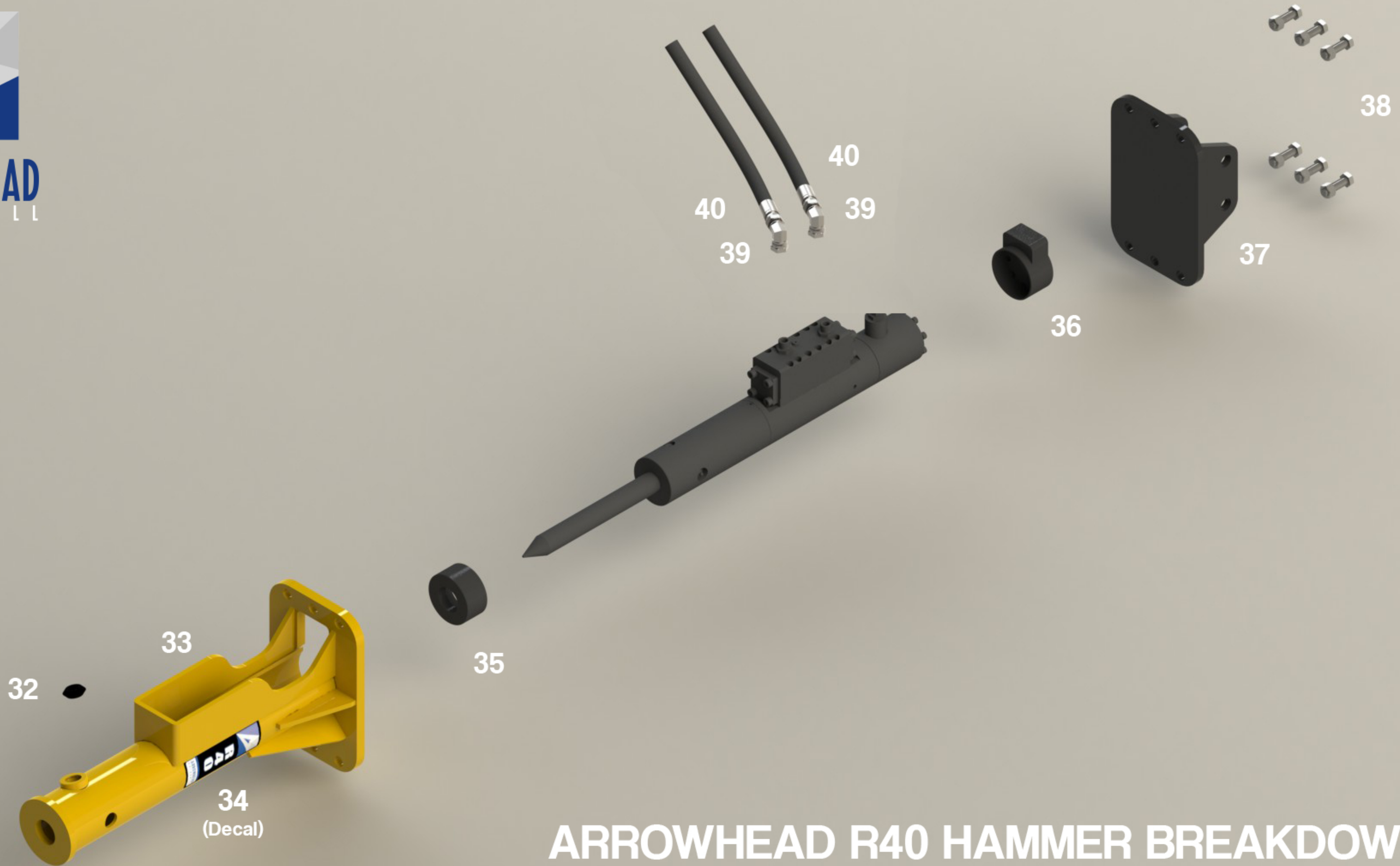
**ARROWHEAD**  
ROCK DRILL



**ARROWHEAD R40 POWERCELL BREAKDOWN**



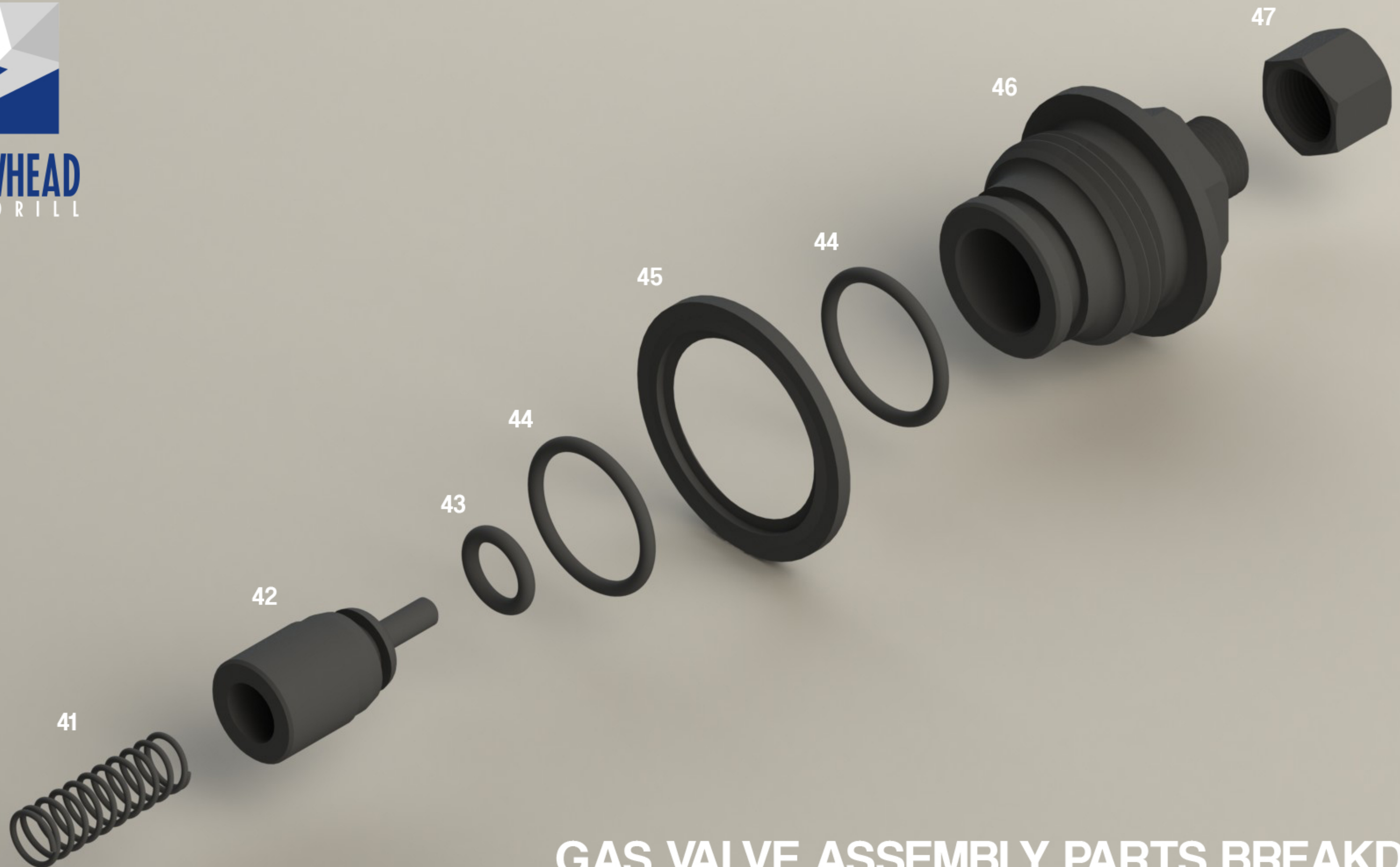
**ARROWHEAD**  
ROCKDRILL



# ARROWHEAD R40 HAMMER BREAKDOWN



**ARROWHEAD**  
ROCKDRILL



# GAS VALVE ASSEMBLY PARTS BREAKDOWN