

CONSTRUCTION EQUIPMENT

Simmler *Vermietung
Verkauf
Reparatur*
Baumaschinen

SUNWARD
INNOVATION LEADS TO VALUE

MINI EXCAVATOR **SWE 08B**

Engine Power: **7.2 kW**

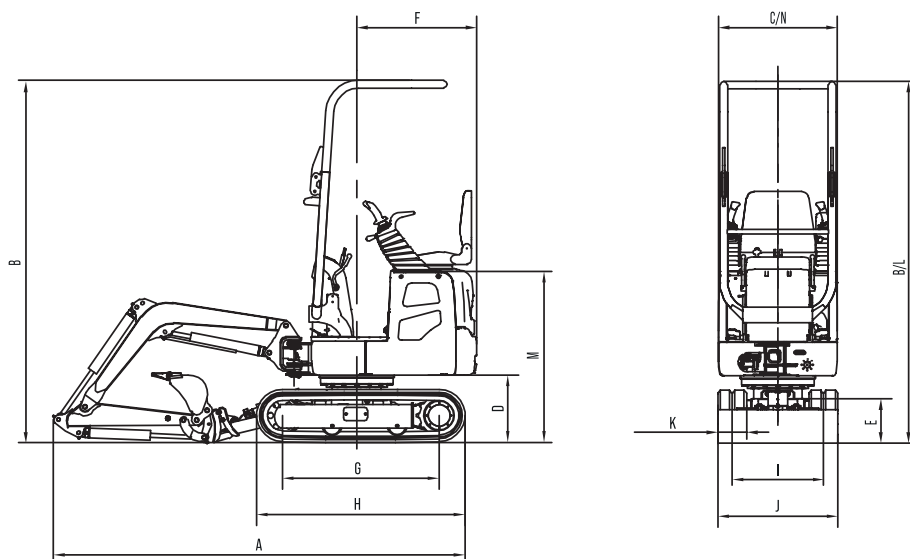
Machine Weight: **1 010 kg**



TECHNICAL PARAMETERS

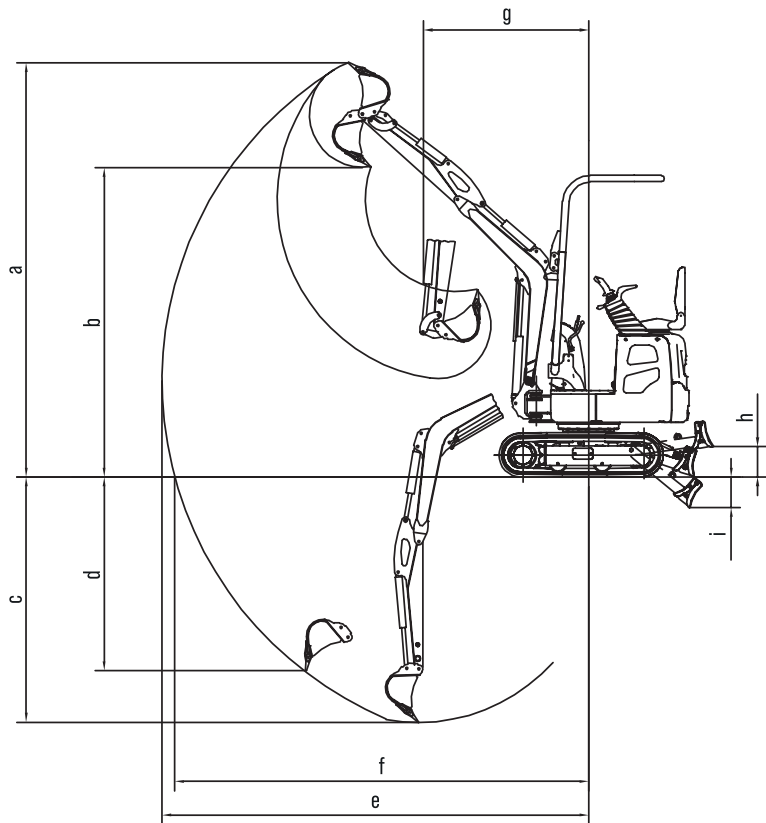
| | | | |
|-----------------------------|--------------------------------------|--|------------|
| TYPE OF CAB | | Canopy | |
| BUCKET CAPACITY | | 0.022 m ³ | |
| BUCKET WIDTH, STD. | | 320 mm | |
| MACHINE WEIGHT | | 1010 kg | |
| DIMENSIONS | Overall dimension (L × W × H) | 2 640 × 750 × 2 250 mm | |
| | A Total length | 3 640 mm | |
| | B Total height | 2 250 mm | |
| | C Total with | 750 mm | |
| | D Ground clearance of counter weight | 418.5 mm | |
| | E Minimum ground clearance | 131 mm | |
| | F Tail swing radius | 750 mm | |
| | G Track length on the ground | 975 mm | |
| | H Track length | 1 299 mm | |
| | I Track gauge | 570/820 mm | |
| | J Undercarriage width | 750/1 000 mm | |
| | K Track shoe width | 180 mm | |
| | L Cab height | 2 250 mm | |
| | M Height of engine hood | 1 085 mm | |
| | N Width of turntable | 740 mm | |
| | ENGINE | Brand | YANMAR |
| | | Model | 2TNV70-PSU |
| Type | | Inline, 2 cylinders, water cooled, mechanical pump | |
| Emission rating | | EU Stage V | |
| Displacement | | 0.57 L | |
| Output | | 7.2/2 400 kW/rpm | |
| Max torque | | 67.4/1 600 N*m/rpm | |
| TRACK | Type | Rubber track | |
| | Rubber shoe width | 180 mm | |
| UNDERCARRIAGE | Track length | 1 299 mm | |
| | Traveling speed (High/Low) | 2.9/1.5 km/h | |
| | Gradeability | 30 deg | |
| SWING SPEED | | 8.2 rpm | |
| GROUND PRESSURE | | 24.5 kpa | |
| HYDRAULIC PUMPS | Hydraulic pump type | 2 gear pump | |
| | Max displacement of hydraulic pump | 2*9.6 L/min | |
| | Hydraulic pressure of hydraulic pump | 2*160 bar | |
| | Pilot pump | Gear pump | |
| | Max displacement of pilot pump | 9.6 L/min | |
| | Hydraulic pressure of pilot pump | 160 bar | |
| SWING MOTOR | | Plunger motor | |
| TRAVEL MOTOR | | 2-speed plunger motor | |
| FUEL TANK CAPACITY | | 10 L | |
| HYDRAULIC OIL TANK CAPACITY | | 9.5 L | |

DIMENSIONS



WORKING RANGE

| WORKING RANGE & BREAKOUT FORCE | a | Max. cutting height | 3 085 mm |
|-----------------------------------|---|-------------------------------|----------|
| | b | Max. loading height | 2 305 mm |
| | c | Max. digging depth | 1 825 mm |
| | d | Max. vertical digging depth | 1 440 mm |
| | e | Max. digging reach | 3 180 mm |
| | f | Max. reach on ground | 3 086 mm |
| | g | Min. front swing radius | 1 221 mm |
| | h | Max dozer lifting height | 225 mm |
| | i | Max dozer cutting depth | 225 mm |
| | | Max digging force (Bucket) | 9.4 kN |
| | | Max digging force (Arm) | 5.8 kN |
| | | Boom swing angle (Left/Right) | 73/53° |

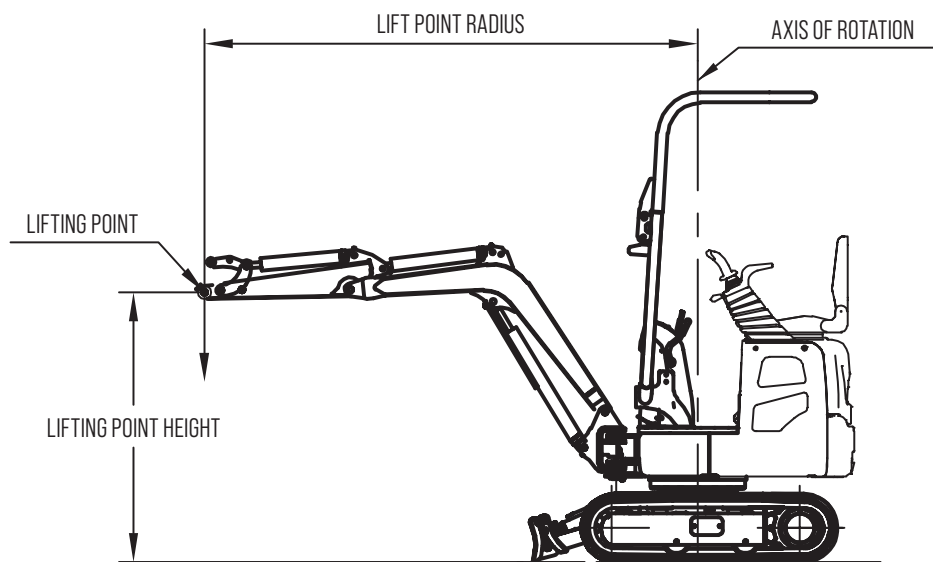


LIFTING CAPACITY

| Lift Point Height (m) | Lift Point Radius (MAX) | | Lift Point Radius (2.0 m) | | Lift Point Radius (1.0 m) | |
|-----------------------|-------------------------|----------------|---------------------------|----------------|---------------------------|----------------|
| | Over-front (kg) | Over-side (kg) | Over-front (kg) | Over-side (kg) | Over-front (kg) | Over-side (kg) |
| 2.0 | 119.60* | 86.6 | 129.20* | 107.30 | / | / |
| 1.0 | 157.90* | 61.9 | 135.50 | 94.90 | 416.40* | 264.00 |
| 0.0 | 196.20* | 70.1 | 224.90* | 86.60 | 445.10* | 202.20 |
| -1.0 | 205.80* | 127.9 | / | / | 287.10* | 243.40 |

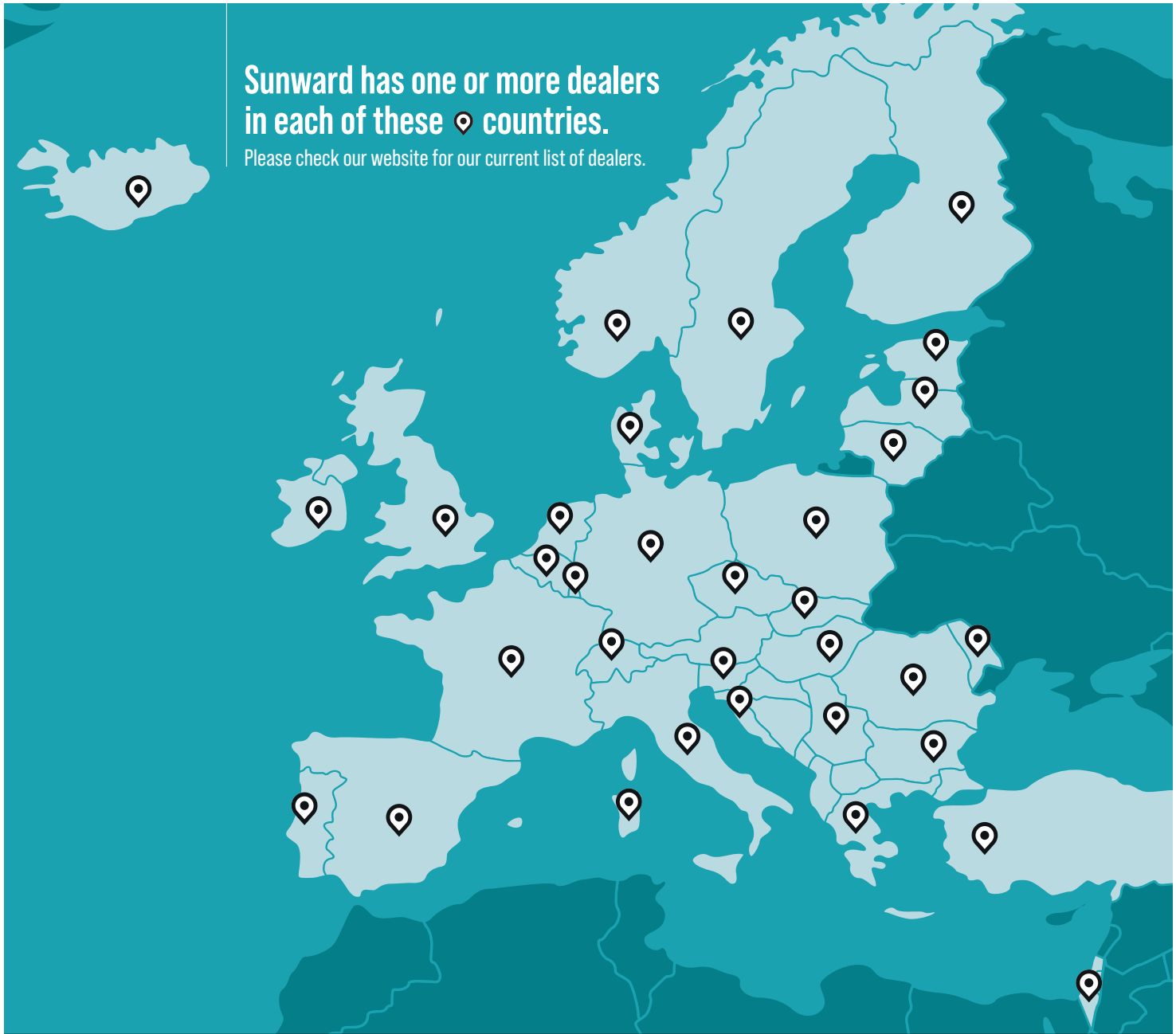
Notes:

- Load with * is limited by hydraulic capacity and based on ISO 10567. Rated loads do not exceed 87% of hydraulic capacity.
- Load without * is limited by tipping load and based on ISO 10567. Rated loads do not exceed 75% of tipping capacity.
- The excavator bucket, hook, sling and other lifting accessories are not included in this table.



Sunward has one or more dealers
in each of these  countries.

Please check our website for our current list of dealers.



SUNWARD EUROPE HEAVY INDUSTRY N.V

✉ Havenlaan 1
B-3980 TESSENDERLO
Belgium

☎ +32 (0) 11 43 46 66
✉ info.eu@sunward.cc
🌐 www.sunward.eu

CE_EU_L3_SWE088-20220902_EN_EU

DEALER CONTACTS

Simmler *Vermietung
Verkauf
Reparatur*
Baumaschinen
Buechstr. 25, 8645 Jona 055 212 69 50
www.simmler.swiss