

CONSTRUCTION EQUIPMENT

**Simmler** *Vermietung  
Verkauf  
Reparatur*  
**Baumaschinen**

**SUNWARD**  
INNOVATION LEADS TO VALUE

MINI EXCAVATOR **SWE 17F**

Engine Power: **13.4 kW**

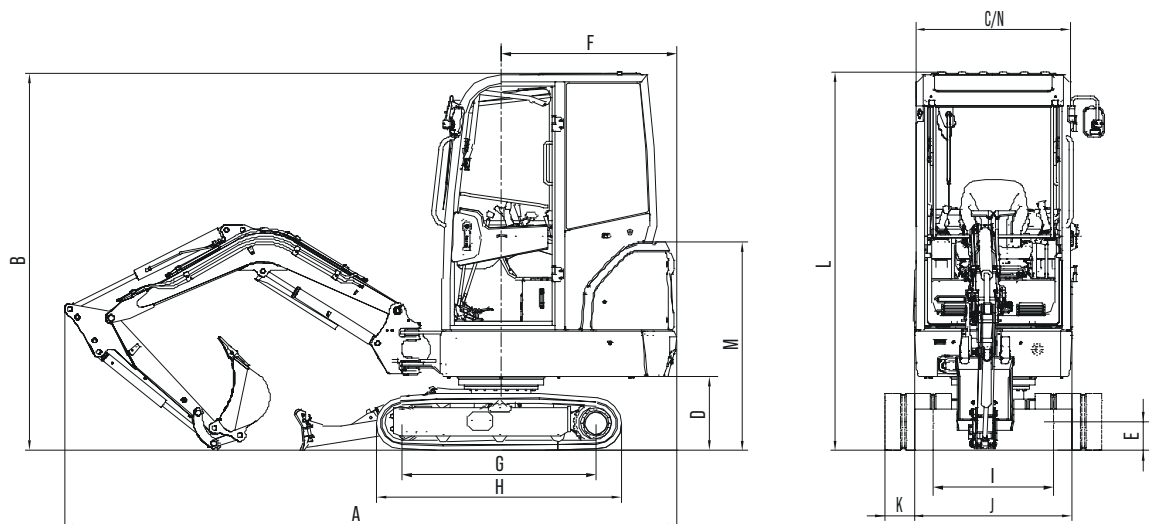
Machine Weight: **1640 – 1780 kg**



## TECHNICAL PARAMETERS

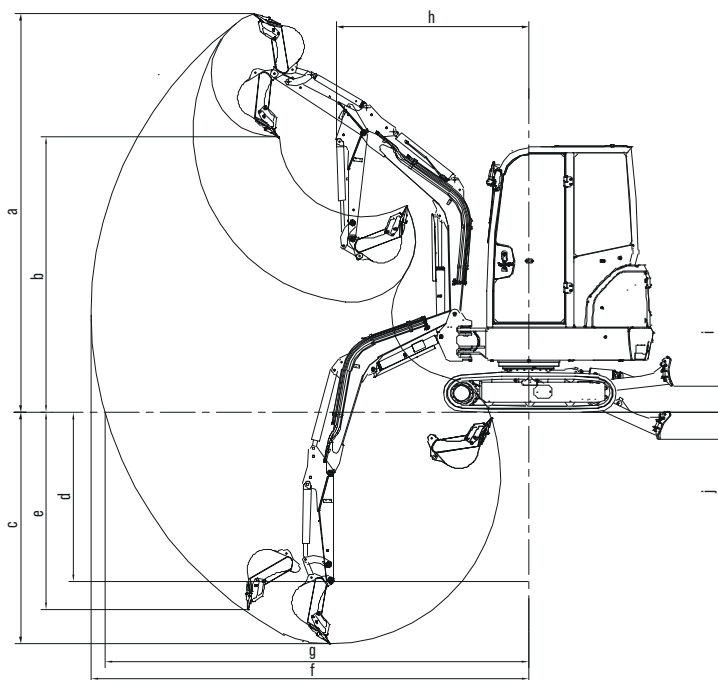
TYPE OF CAB		Cab / Canopy	
BUCKET CAPACITY		0.03-0.1m <sup>3</sup>	
BUCKET WIDTH, STD.		370 mm	
MACHINE WEIGHT		1640-1780 kg	
DIMENSIONS	Overall dimension (L × W × H)	3 840 × 990 × 2 360 mm	
	A Total length	3 840 mm	
	B Total height	2 360 mm	
	C Total with	990 mm	
	D Ground clearance of counter weight	460 mm	
	E Minimum ground clearance	160 mm	
	F Tail swing radius	1 110 mm	
	G Track length on the ground	1 210 mm	
	H Track length	1 555 mm	
	I Track gauge	760/1 130 mm	
	J Undercarriage width	990/1 360 mm	
	K Track shoe width	230 mm	
	L Cab height	2 360 mm	
	M Height of engine hood	1 310 mm	
	N Width of turntable	990 mm	
	ENGINE	Brand	YANMAR
		Model	3TNV80-SSU
Type		Inline, 3 cylinders, water cooled, mechanical pump	
Emission rating		EU Stage V	
Displacement		1.267 L	
Output		13.4/2 200 kW/rpm	
Max torque		67.4/1 600 N*m/rpm	
TRACK	Type	Rubber track	
	Rubber shoe width	230 mm	
UNDERCARRIAGE	Track length	1 555 mm	
	Traveling speed (High/Low)	4.5/2.5 km/h	
	Gradeability	30 deg	
SWING SPEED		10 rpm	
GROUND PRESSURE		30 kpa	
HYDRAULIC PUMPS	Hydraulic pump type	Single axial swashplate piston pump	
	Max displacement of hydraulic pump	67.2 L/min	
	Hydraulic pressure of hydraulic pump	245 bar	
	Pilot pump	/	
	Hydraulic pressure of pilot pump	32 bar	
SWING MOTOR		Piston motor	
TRAVEL MOTOR		Piston motor	
FUEL TANK CAPACITY		21 L	
HYDRAULIC OIL TANK CAPACITY		26 L	

## DIMENSIONS



## WORKING RANGE

WORKING RANGES	a	Max. cutting height	3 533 mm
	b	Max. loading height	2 440 mm
	c	Max. digging depth	2 057 mm
	d	Max. digging depth (2.4 m)	1 395 mm
	e	Max. vertical digging depth	1 757 mm
	f	Max. digging reach	3 883 mm
	g	Max. reach on ground	3 762 mm
	h	Min. front swing radius	1 580 mm
	i	Max dozer lifting height	240 mm
	j	Max dozer cutting depth	240 mm
		Max digging force (Bucket)	21 kN
		Max digging force (Arm)	12 kN
		Boom swing angle (Left/Right)	65/47°



## LIFTING CAPACITY

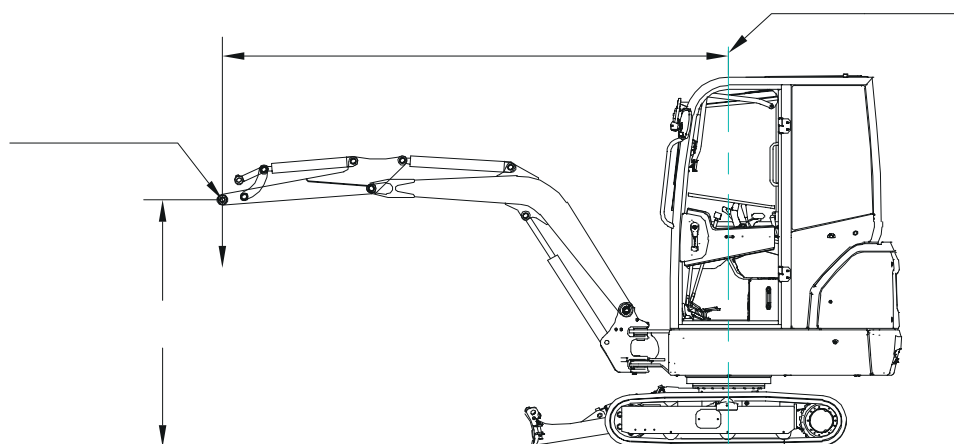
Lift Point Height (m)	Lift Point radius (MAX)		Lift Point radius (3.0 m)		Lift Point radius (2.5 m)		Lift Point radius (2.5 m)	
	Over-front (kg)	Over-side (kg)	Front (kg)	Side (kg)	Front (kg)	Side (kg)	Front (kg)	Side (kg)
2.5	381.6*	381.6*	/	/	186.4*	195.2	/	/
2.0	390.5*	381.6*	390.5*	390.5*	363.8*	363.8*	/	/
1.0	408.2*	290.7*	452.6*	351.9*	541.3*	436.1	709.9*	573.8
0	488.1*	290.7*	488.1*	/	594.6*	405.5	/	550.8
-1.0	496.9*	382.5*	/	/	/	/	/	474.3

### Notes:

1. Load with \* is limited by hydraulic capacity and based on ISO 10567. Rated loads do not exceed 87% of hydraulic capacity.

2. Load without \* is limited by tipping load and based on ISO 10567. Rated loads do not exceed 75% of tipping capacity.

3. The excavator bucket, hook, sling and other lifting accessories are not included in this table.





Sunward has one or more dealers  
in each of these  countries.

Please check our website for our current list of dealers.



## SUNWARD EUROPE HEAVY INDUSTRY N.V

✉ Havenlaan 1  
B-3980 TESSENDERLO  
Belgium

☎ +32 (0) 11 43 46 66  
▶ info.eu@sunward.cc  
🌐 www.sunward.eu

## DEALER CONTACTS

**Simmler** *Vermietung  
Verkauf  
Reparatur*  
**Baumaschinen**

Buechstr. 25, 8645 Jona 055 212 69 50  
www.simmler.swiss