

CONSTRUCTION EQUIPMENT

Simmler *Vermietung
Verkauf
Reparatur*
Baumaschinen

SUNWARD
INNOVATION LEADS TO VALUE

COMPACT EXCAVATOR **SWE 60UF**

Engine Power: **36.5 kW**

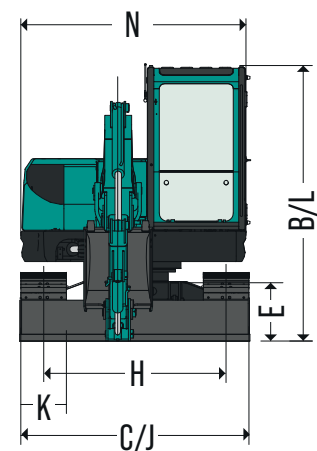
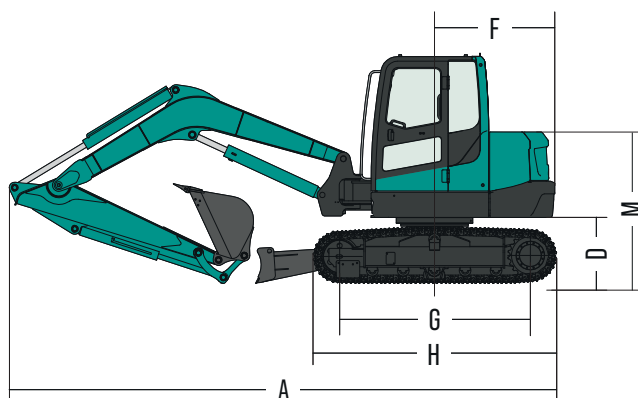
Machine Weight: **5 700 - 5 770 kg**



TECHNICAL PARAMETERS

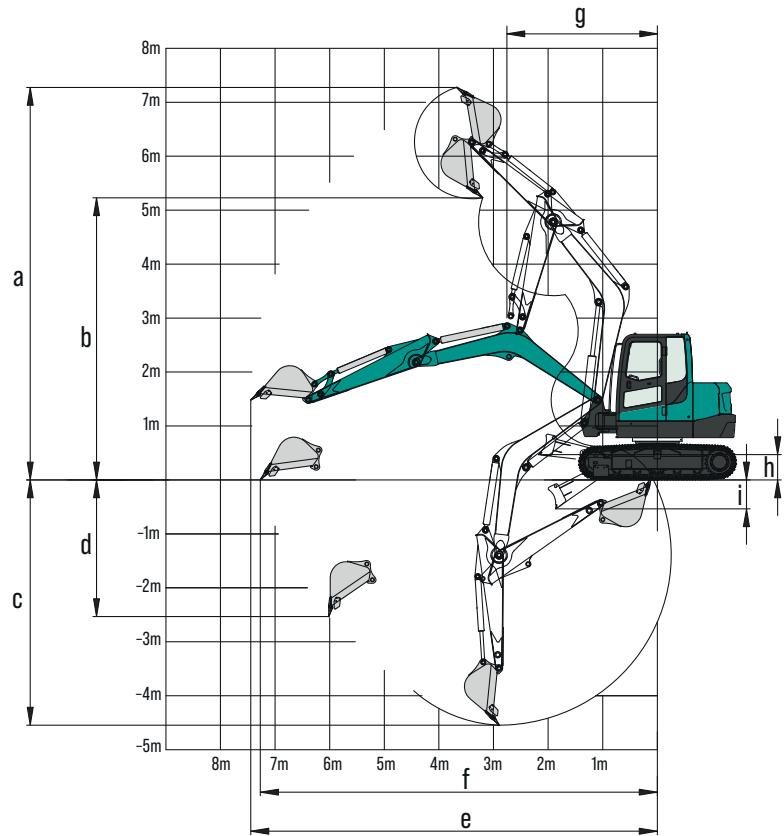
| | | |
|----------------------------------|--------------------------------------|---|
| TYPE OF CAB | | Cab |
| BUCKET CAPACITY | | 0.18 m ³ |
| BUCKET WIDTH, STD. | | 675 mm |
| MACHINE WEIGHT | | 5 700 - 5 770 kg |
| DIMENSIONS | Overall dimension (L × W × H) | 5 500 × 1 980 × 2 550 mm |
| | A Total length | 5 500 mm |
| | B Total height | 2 550 mm |
| | C Total with | 1 960 mm |
| | D Ground clearance of counter weight | 640 mm |
| | E Minimum ground clearance | 330 mm |
| | F Tail swing radius | 1 050 mm |
| | G Track length on the ground | 1 965 mm |
| | H Track length | 2 490 mm |
| | I Track gauge | 1 550 mm |
| | J Undercarriage width | 1 960 mm |
| | K Track shoe width | 400 mm |
| | L Cab height | 2 550 mm |
| | M Height of engine hood | 1 560 mm |
| | N Width of turntable | 740 mm |
| | Max digging force (Bucket) | 46.8 |
| | Max digging force (Arm) | 31.1 |
| ENGINE | Brand | KUBOTA |
| | Model | V2607-CR-T |
| | Type | Inline, 4 cylinders, 4 strokes, water cooled, mechanical pump |
| | Emission rating | EU Stage V |
| | Displacement | 2.615 L |
| | Output | 36.5 kW / 2 000 rpm |
| | Max torque | 207 Nm @ 1500 rpm |
| TRACK | Type | Rubber track |
| | Rubber shoe width | 400 mm |
| UNDERCARRIAGE | Track length | 2 490 mm |
| | Traveling speed (High/Low) | 4.07/2.43 km/h |
| | Gradeability | 35 deg |
| SWING SPEED | | 9.4 rpm |
| GROUND PRESSURE | | 33.87 kpa |
| HYDRAULIC PUMPS | Hydraulic pump type | 2 variable plunger pumps |
| | Max displacement of hydraulic pump | 2*59.2 L/min |
| | Hydraulic pressure of hydraulic pump | 2*245 bar |
| | Pilot pump | Gear pump |
| | Max displacement of pilot pump | 42.24 L/min |
| Hydraulic pressure of pilot pump | 210 bar | |
| SWING MOTOR | | Piston motor |
| TRAVEL MOTOR | | 2-speed piston motor |
| FUEL TANK CAPACITY | | 70 L |
| HYDRAULIC OIL TANK CAPACITY | | 70 L |

DIMENSIONS



WORKING RANGE

| WORKING RANGE & BREAKOUT FORCE | a | Max. cutting height | 5 610 mm |
|--------------------------------|-------------------------------|-----------------------------|----------|
| | b | Max. loading height | 3 950 mm |
| | c | Max. digging depth | 3 710 mm |
| | d | Max. vertical digging depth | 3 199 mm |
| | e | Max. digging reach | 6 235 mm |
| | f | Max. reach on ground | 6 105 mm |
| | g | Min. front swing radius | 2 475 mm |
| | h | Max dozer lifting height | 445 mm |
| | i | Max dozer cutting depth | 400 mm |
| | | Max digging force (Bucket) | 46.8 kN |
| | | Max digging force (Arm) | 31.1 kN |
| | Boom swing angle (Left/Right) | 70/50° | |

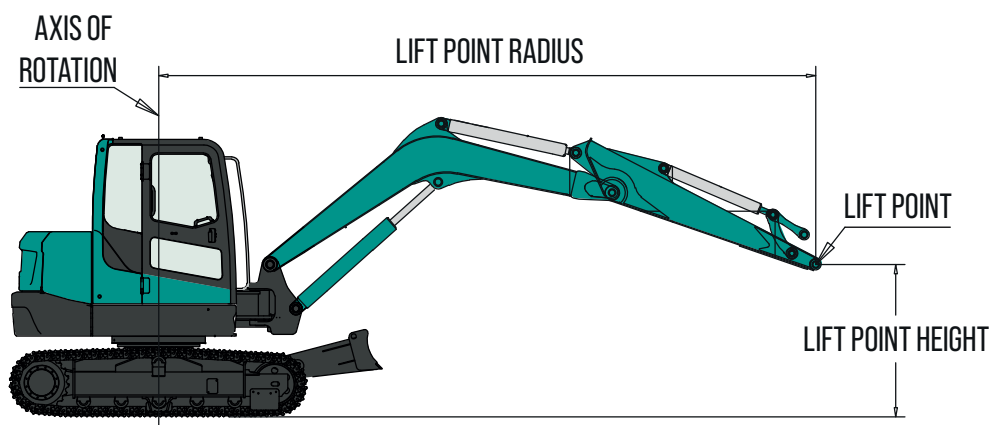


LIFTING CAPACITY

| Lift Point Height (m) | Lift Point Radius (MAX) | | Lift Point Radius (5.0m) | | Lift Point Radius (4.0m) | | Lift Point Radius (3.0m) | |
|-----------------------|-------------------------|----------------|--------------------------|----------------|--------------------------|----------------|--------------------------|----------------|
| | Over-front (kg) | Over-side (kg) | Over-front (kg) | Over-side (kg) | Over-front (kg) | Over-side (kg) | Over-front (kg) | Over-side (kg) |
| 4.0 | 915.0* | 832.5* | / | / | / | / | / | / |
| 3.0 | 765.0* | 675.0* | / | / | 1080.0* | 937.5* | / | / |
| 2.0 | 705.0* | 577.5* | 753.8* | 637.5* | 1125.0* | 930.0* | 1590.0* | 1402.0* |
| 1.0 | 675.0* | 547.5* | 682.5* | 607.5* | 855.0* | 847.5* | 1290.0* | 1290.0* |
| 0.0 | 622.5* | 540.0* | 630.0* | 577.5* | 907.5* | 780.0* | 1350.0* | 1125.0* |
| -1.0 | 682.5* | 600.0* | / | / | 862.5* | 735.0* | 1267.5* | 1065.0* |
| -2.0 | 795.0* | 727.5* | / | / | 855.0* | 750.0* | 1140.0* | 990.0* |

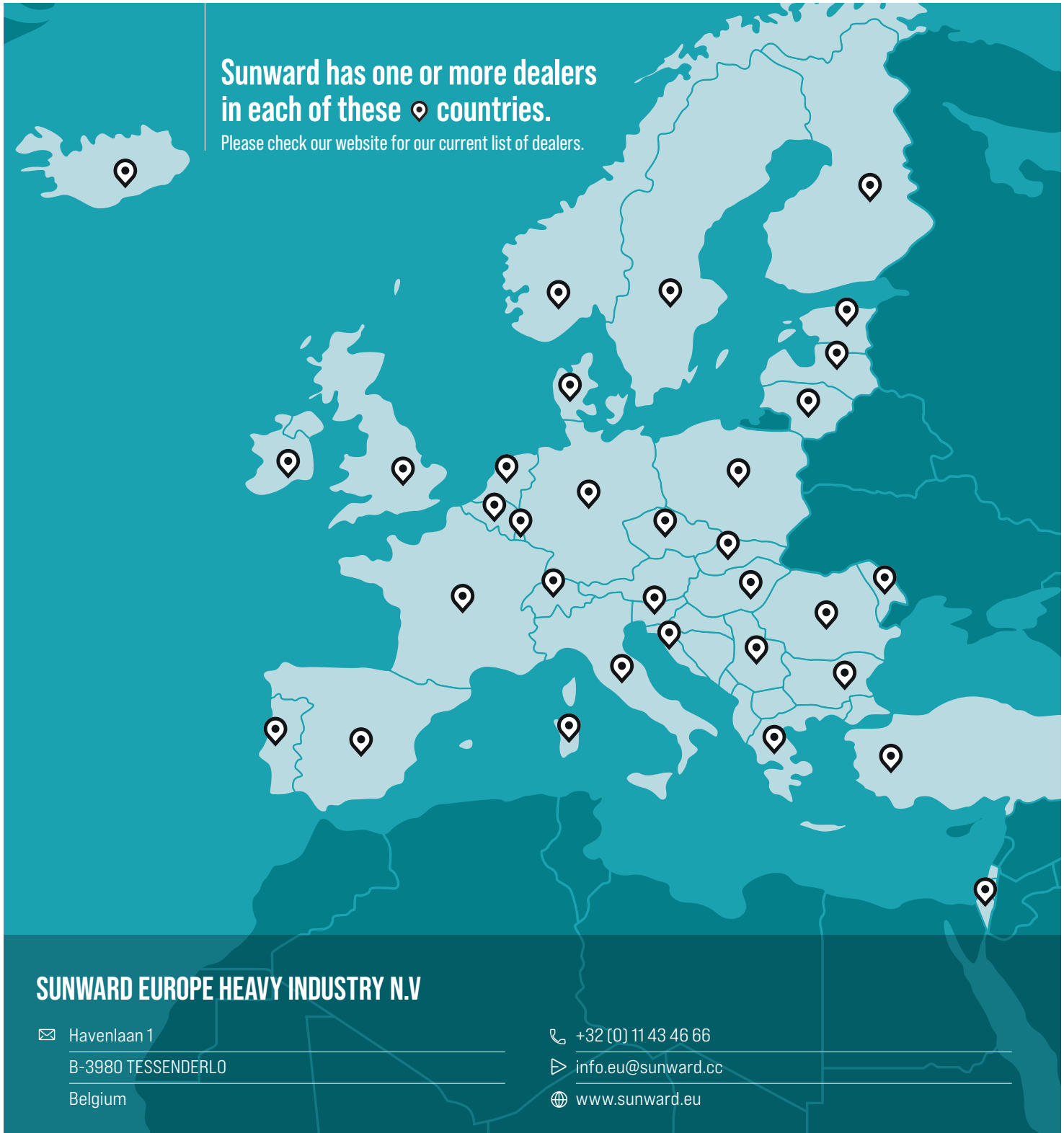
Notes:

1. Load with * is limited by hydraulic capacity and based on ISO 10567. Rated loads do not exceed 87% of hydraulic capacity.
2. Load without * is limited by tipping load and based on ISO 10567. Rated loads do not exceed 75% of tipping capacity.
3. The excavator bucket, hook, sling and other lifting accessories are not included in this table.



Sunward has one or more dealers
in each of these  countries.

Please check our website for our current list of dealers.



SUNWARD EUROPE HEAVY INDUSTRY N.V

✉ Havenlaan 1
B-3980 TESSENDERLO
Belgium

☎ +32 (0) 11 43 46 66
✉ info.eu@sunward.cc
🌐 www.sunward.eu

DEALER CONTACTS

Simmler *Vermietung Verkauf Reparatur*
Baumaschinen
Buechstr. 25, 8645 Jona 055 212 69 50
www.simmler.swiss