

INNOVATION LEADS TO VALUE



SUNWARD

SWE335F

Overall weight:32.8t

Engine power:209kW/2000rpm

Bucket capacity:1.7m³

Simmler *Vermietung*
Verkauf *Reparatur*
Baumaschinen

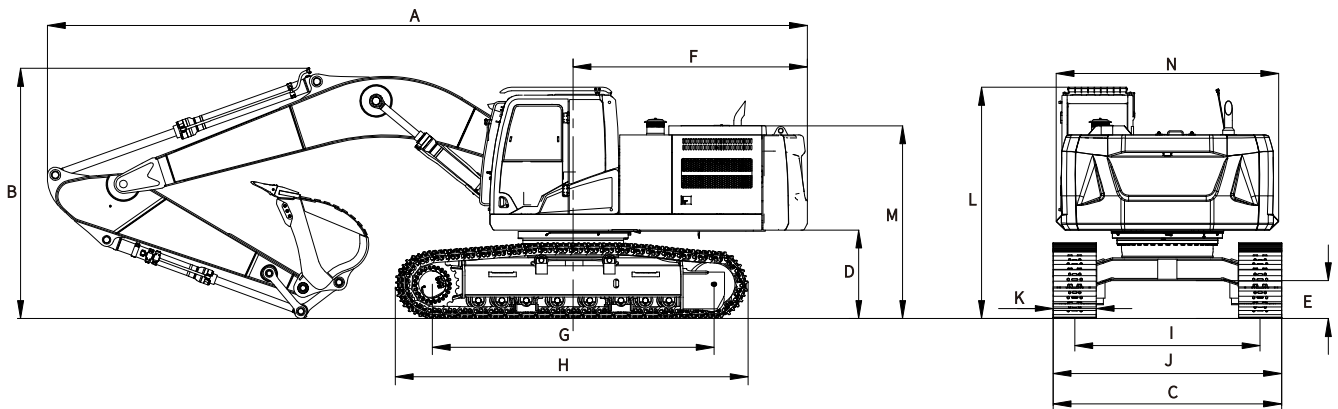
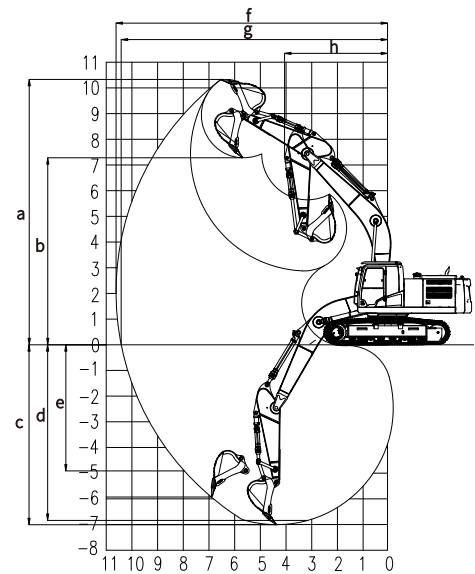
Buechstr. 25, 8645 Jona 055 212 69 50
www.simmler.swiss





Host performance parameters			
Specification			
Operation weight	t	32.8	
Bucket capacity	m ³	1.7	
Engine			
Brand	CUMMINS		
Model	QSB6.7		
Type	DI, 4-stroke, water-cooled, full-wheel supercharging		
Power	kW/rpm	209/2000	
Maximum torque	Nm/rpm	1280/1500	
Displacement	L	6.7	
Hydraulic system			
Main series types	2 × variable plunger system		
Maximum flow rate of main pump	L/min	2×296	
System pressure	MPa	34.3	
Type of pilot pump	1× Gear pump		
Maximum flow of pilot pump	L/min	27.75	
Pressure of pilot pump	MPa	3.9	
Performance			
Rotating speed	rpm	11.42	
Traveling speed	km/h	5.B/3.6	
Gradeability	°	35	
Width of track link	600		
Ground specific pressure	kPa	62.3	
Tank volume			
Fuel tank volume	L	520	
Hydraulic oil tank volume	L	400	

Working range, digging force			
a	Maximum digging height	mm	10330
b	Maximum unloading height	mm	7280
c	Maximum digging depth	mm	7010
d	Digging depth(2.44m horizontal)	mm	6840
e	Maximum vertical digging depth	mm	5920
f	Maximum digging distance	mm	10570
g	Maximum ground digging distance	mm	10370
h	Minimum front swing radius	mm	4005
Digging force of bucket(ISO supercharging)		kN	214
Digging force of arm(ISO supercharging)		kN	170



Outline dimension							
	Boom length	mm	6150	G	Ground contact length of track	mm	3930
	Arm length	mm	2900	H	Length of track	mm	4860
A	Total length	mm	10716	I	Track gauge	mm	2590
B	Total height	mm	3490	J	Width of track	mm	3190
C	Total width	mm	3190	K	Width of track link	mm	600
D	Ground clearance of counterweight	mm	1235	L	Cab height	mm	3230
E	Minimum ground clearance	mm	530	M	Machine hood height	mm	2690
F	Tail swing radius	mm	3370	N	Width of turntable	mm	3110

□The above parameters may be changed due to product updating

