

Excavator SWE 365F

Operating Weight	35.9t(steel track)
Engine Power	252kW/1800rpm
Engine Brand	CUMMINS
Standard Bucket Capacity	1.6m ³
Max. Digging Depth	7.465m



Excavator SWE365F

Parameter

ENGINE

Brand	CUMMINS
Model	QSL9S5-C338
Type	Electronic fuel injection, water-cooled, turbocharged, intercooled, Post processing
Displacement	8.9L
Power	252kW/1800rpm

ELECTRIC SYSTEM

Nominal Voltage	24V
Batteries	120Ah
Alternator	24V-75A
Starter	24V-7.8KW

DRIVE

Max.Travel Speed (2nd/1st)	5.8/3.6 km/h
Gradeability	35°
Max. Driving Force	279kN

UNDERCARRIAGE

Undercarriage Width	3190mm
Tumbler Distance	4025mm
Track Length	4942mm
Shoe Width	600mm

DIMENSIONS

Counterweight Clearance	1190mm
Tail Swing Radius	3380mm
Shipping Length	11170mm
Shipping Width	2960mm
Shipping Height	3400mm

WORKING RANGES

Max. Cutting Height	10515mm
Max. Loading Height	7440mm
Max. Digging Depth	7465mm
Max. Vertical Wall Digging Depth	6930mm
Max. Digging Reach	11330mm
Max. Digging Reach (Ground)	11130mm
Bucket Digging Force	250kN
Stick Digging Force	168kN
Ground Pressure	63.6kPa
Swing Speed	9.1rpm

CAPACITY

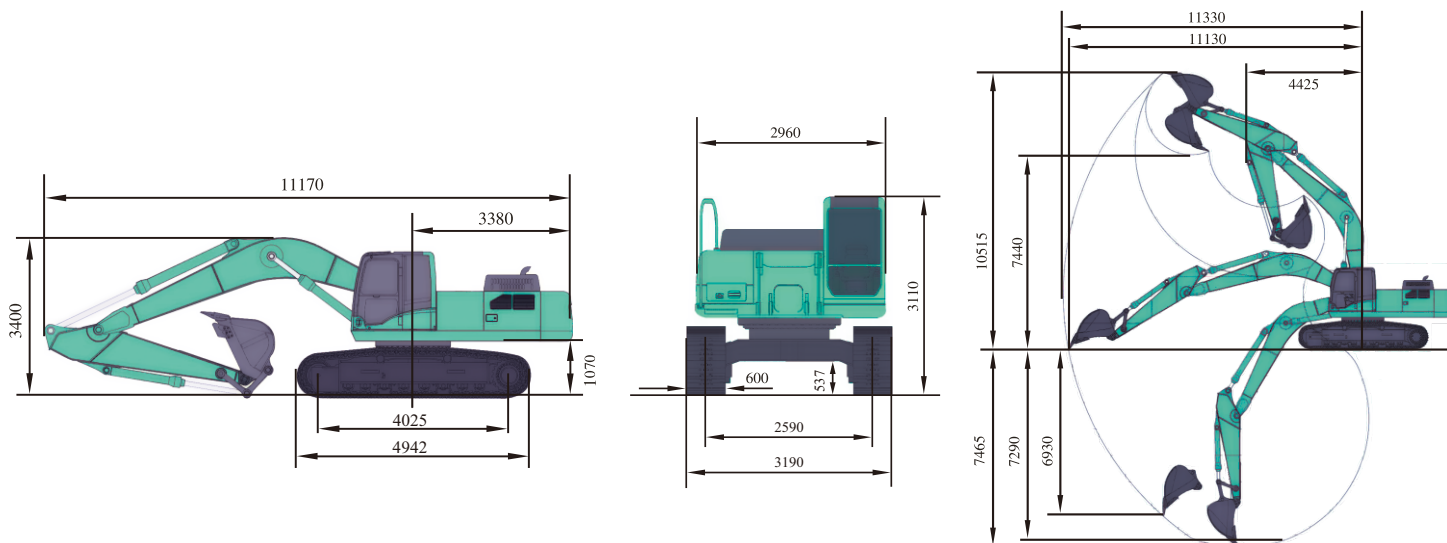
Fuel Tank	640L
Hydraulic Tank	290L

HYDRAULIC SYSTEM

Main Pumps	
Type	2 piston pumps
Displacement	2×324 L/min
Working Pressure	31.4/34.3 MPa

Excavator SWE 365F

Working Ranges



Load Capacity

A(m) B(m)	3m		4m		5m		6m		7m		8m		9m		MAX	
	Front(kg)	Side(kg)	Front(kg)	Side(kg)	Front(kg)	Side(kg)	Front(kg)	Side(kg)	Front(kg)	Side(kg)	Front(kg)	Side(kg)	Front(kg)	Side(kg)	Front(kg)	Side(kg)
7.0	-	-	-	-	-	-	-	-	8340	6850	-	-	-	-	7230	5750
6.0	-	-	-	-	-	-	9200	9010	8620	6800	8360	5200	-	-	7120	4950
5.0	-	-	-	-	11700	11700	10140	8730	9170	6660	8340	5170	-	-	7130	4430
4.0	-	-	-	-	13580	11260	11270	8390	9870	6460	8230	5070	-	-	6770	4090
3.0	-	-	-	-	15420	10620	12420	8020	10180	6240	8100	4940	6540	3920	6490	3890
2.0	-	-	-	-	16840	10110	12840	7700	9950	6040	7960	4820	6470	3860	6370	3790
1.0	-	-	-	-	17060	9800	12560	7450	9760	5870	7840	4710	6420	3810	6400	3800
0.0	-	-	-	-	16890	9090	12380	7300	9630	5750	7750	4630	-	-	6590	3910
-1.0	-	-	17030	13890	16850	9620	12310	7240	9570	5700	7720	4600	-	-	6970	4150
-2.0	15910	15910	20750	14040	16920	9680	12320	7250	9580	5700	7750	4630	-	-	7630	4560
-3.0	23140	23140	19220	14270	15920	9810	12430	7340	9670	5790	-	-	-	-	8720	5240
-4.0	20310	20310	16950	14600	14090	10040	11530	7530	-	-	-	-	-	-	9670	6430
-5.0	-	-	13440	13440	10900	10420	-	-	-	-	-	-	-	-	9200	8850

Notes:

- 1) Load with * is limited by hydraulic capacity and based on ISO 10567. Rated loads do not exceed 87% of hydraulic capacity.
- 2) Load without * is limited by tipping load and based on ISO 10567. Rated loads do not exceed 75% of tipping load.

SUNWARD INTELLIGENT EQUIPMENT CO.,LTD.

Add: Sunward Industrial Park, No. 1335 Liangtang Road (E),
Xingsha, Changsha, Hunan, China.

Tel: +86 731 8640 7779

E-mail: marketing@sunward.cc

Web: www.sunward.com.cn

SUNWARD EUROPE HEAVY INDUSTRY NV

Add: Nijverheidspark 3, 3580 Beringen, Belgium

Tel: (0032-011) 434666

E-mail: eu@sunward.cc

Simmler *Vermietung
Verkauf
Reparatur*
Baumaschinen

Buechstr. 25, 8645 Jona 055 212 69 50
www.simmler.swiss