

Simmler *Vermietung Verkauf Reparatur*
Baumaschinen

Buechstr. 25, 8645 Jona 055 212 69 50
www.simmler.swiss

SWE 60UF

MINI-SIZED EXCAVATOR



Engine Power: 36 kw
Machine Weight: 5,700 kg
Bucket Capacity: 0.18~0.26 m³

SUNWARD INTELLIGENT EQUIPMENT CO.,LTD.

Add: Sunward Industrial Park, No. 1335 Liangtang Road (E), Xingsha, Changsha, Hunan, China

Tel: +86 731 8640 7779 E-mail: marketing@sunward.cc

Web: www.sunward.com.cn

SUNWARD EUROPE HEAVY INDUSTRY N.V

Add:Nijverheidsark 3,3580

Beringen,Belgium

Tel:(0032-011)434666

E_mail:eu@sunward.cc

Please read the manual book and maintenance book before operation, changes are periodically added to the information, and Sunward may change the products or services described in this book at any time without announcement. All rights of this manual book reserve to Sunward. SUNWARD Internal Use Only



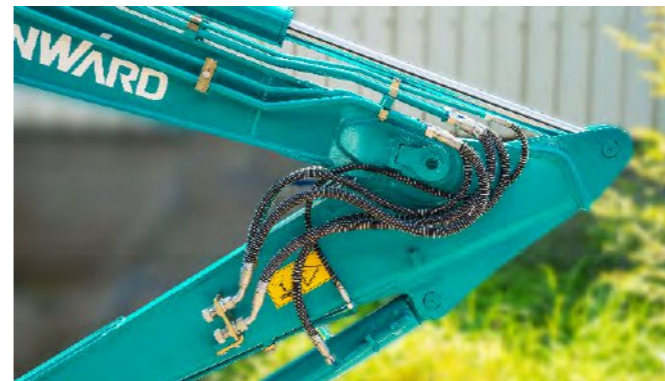
Compact and Flexible

The zero-tail swing frame is easy and comfortable in the wall-side construction and perfectly performs corner construction with the deflection of the working device.



Well-equipped auxiliary pipeline

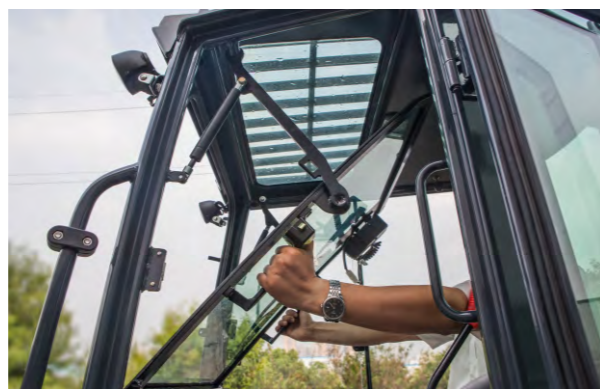
The standard auxiliary pipeline and hydraulic quick hitch pipeline can meet the needs of various attachments.





Comfortable cabin

Spacious space and view of enlarged front windscreen and sunroof are provided to ensure a comfortable driving experience.



Safe driving space

A frame supported cab with Fops/Tops safety certificate and a top protective frame (standard configuration) are provided to effectively protect the safety of drivers.



Pilot proportional joystick control

Standard right electro-hydraulic proportional handle (right) and thumb dial design make auxiliary equipment under control easier.

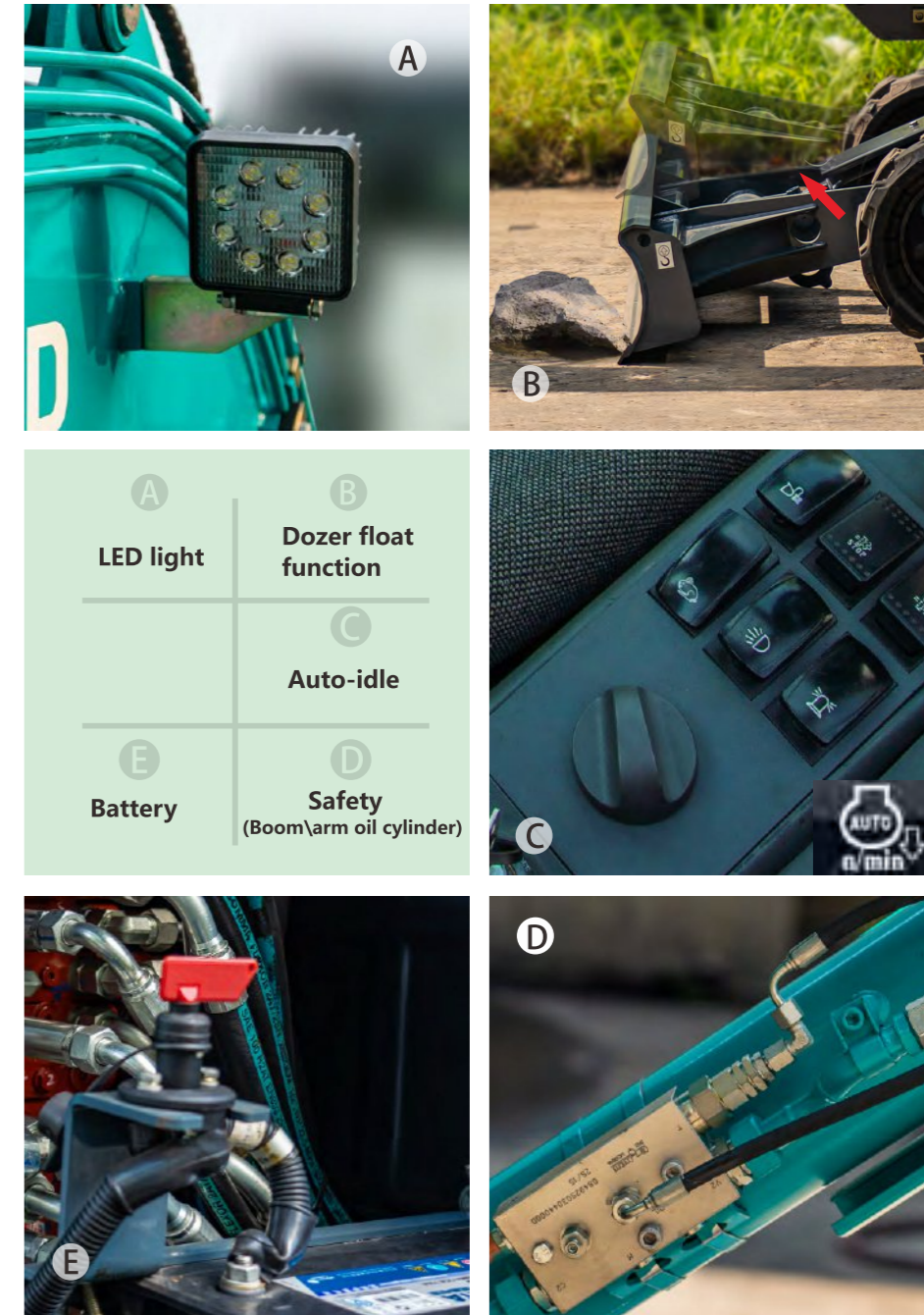


Enjoy noiseless man-machine atmosphere

The clearance is treated with hidden sealing tape, which can effectively reduce noise and dust and allow the driver enjoy comfortable man-machine control



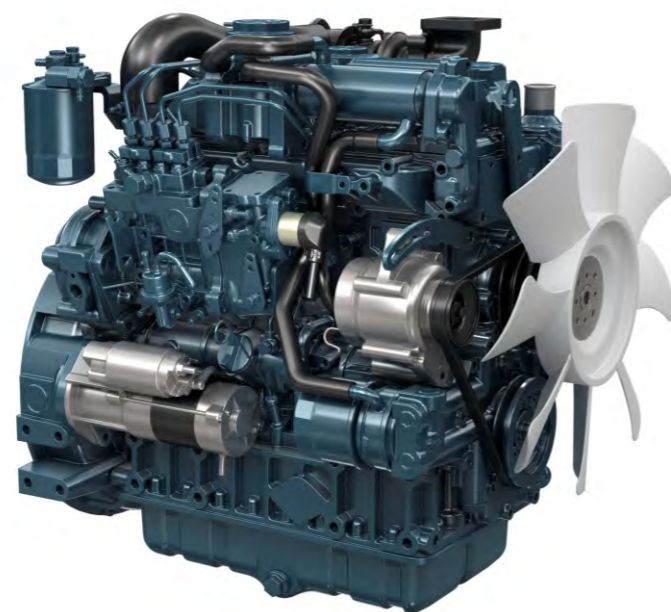
Excellent flat ground micro-control performance



A	B
LED light	Dozer float function
	C
	Auto-idle
E	D
Battery	Safety (Boom\arm oil cylinder)

Powerful Engine

The use of large-displacement turbocharged engines meeting Euro III and Euro V emission standards has the advantages of unilateral maintenance, strong power, being economic and green. The optimized low speed gears matching results in higher efficiency and lower fuel consumption when the engine is operating at low speed.



Advanced monitor

The 7-inch LCD capacitive touch display screen with high brightness displays various operation information, supports work calendar inquiry. With WiFi function, it is easy to operate and know the machine status.

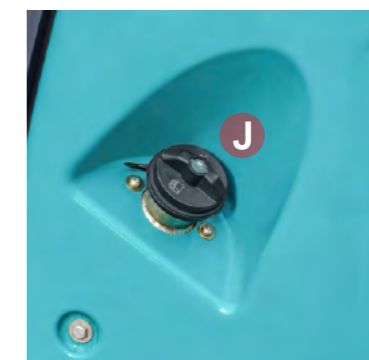
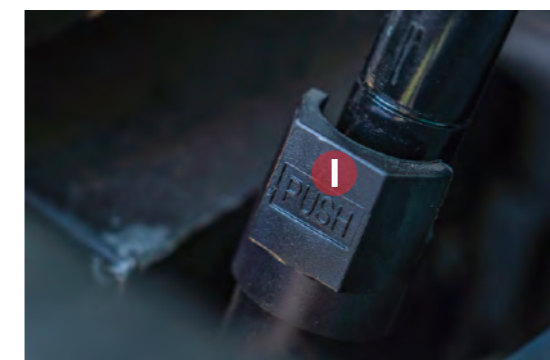
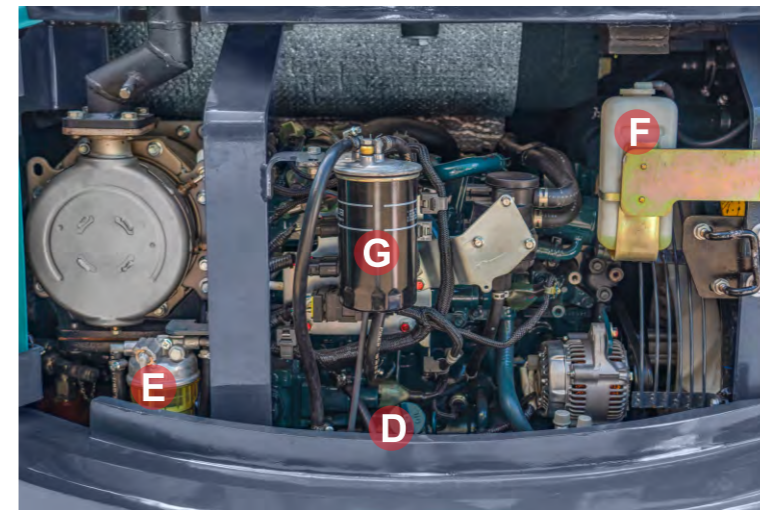
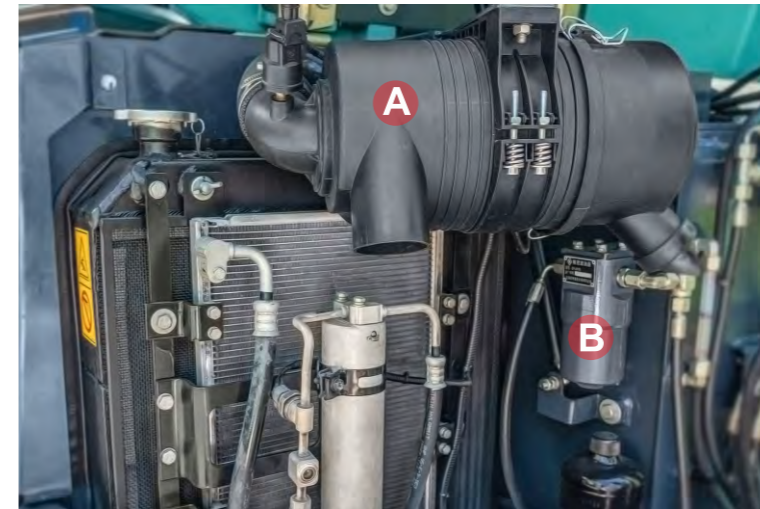


Accessible Maintenance and Services



Easy service

Open covering parts, engine, main valve and other major components are easy to access, allowing easier service.



- A** Air filter
- B** Pilot filter
- C** Engine oil filter
- D** Engine oil tank cap
- E** Oil-water separator
- F** Auxiliary tank
- G** Fuel filter
- H** Hydraulic tank cap
- I** Air spring locking mechanism
- J** Fuel tank cap

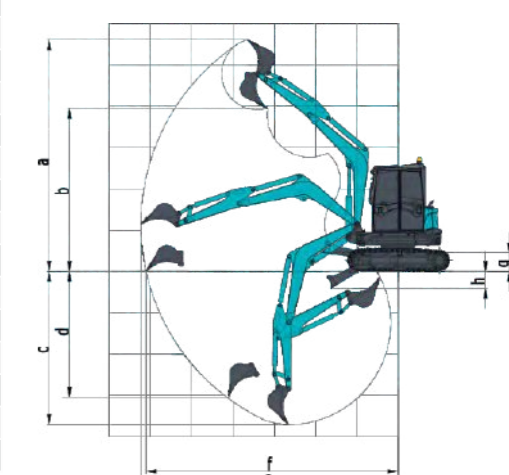
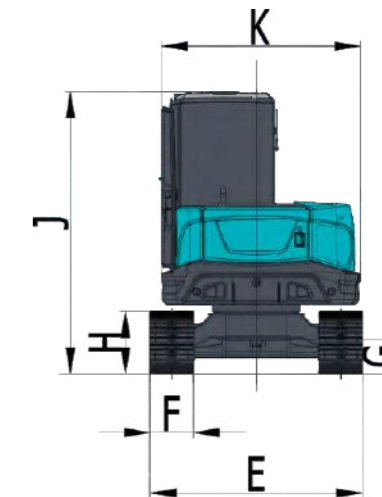
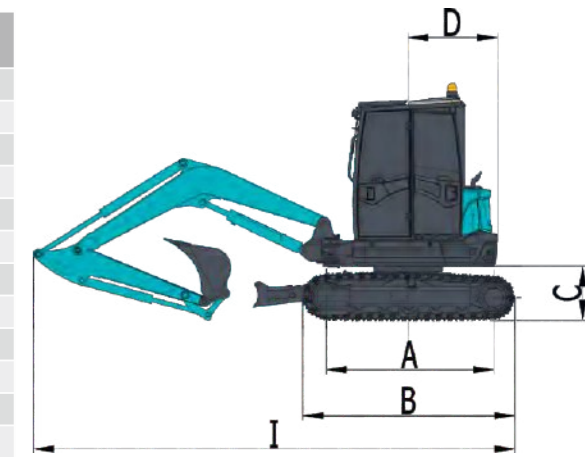
Equipment

The standard and optional equipment varies from country to country. For more information, please contact with us.

Engine		Cab	
Engine oil filter	●	AM/FM radio	●
Fuel filter	●	Cup holder	●
Oil-water separator	●	Floating shock absorber seat	●
Air filter	●	Air conditioner	●
Radiator	●	Engine safety start system	●
Alternator	●	Safety belt	●
Auxiliary water tank	●	FOPS/TOPS cab	●
Electronic fuel feed pump	●	FOPS/TOPS canopy	○
Muffler	●	Windscreen washer and wiper	●
Hydraulic system		Working devices	
Hydraulic pilot control rod	●	Left/right rearview mirror	●
Slewing parking brake system	●	Lighter	●
Traveling parking brake system	●	Safety device of front windscreen	○
Dual-speed traveling system	●	300 mm bucket	○
		680 mm bucket	●
Electro-hydraulic proportional handle (left)	○	1,500 mm bucket	○
Boom explosion-proof valve	●	1,600 mm arm	●
Arm explosion-proof valve	●	1,850 mm long rod	○
Dozer blade explosion-proof valve	○	Breaker pipeline	●
Operating mode switching valve	○	Auxiliary pipeline	●
Light		Track	
Boom light	●	Mechanical quick change device	○
Front cab light	●	400 mm rubber track	●
Warning light	●	400 mm steel track	○

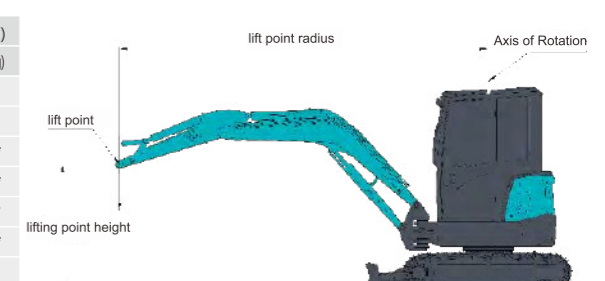
● Standard equipment ○ Optional equipment

SWE60UF Technical Parameters			
Overall dimension (L × W × H)		mm	5500X1980X2550
Dimensions	A Length to center of rollers	mm	1965
	B Total track length	mm	2490
	C Ground clearance of platform	mm	640
	D Platform tail slewing radius	mm	1050
	E Chassis width	mm	1980
	F Track width	mm	400
	G Chassis clearance from the ground	mm	330
	H Track height	mm	575
	I Total length	mm	5500
	J Cab roof height	mm	2550
	K Upper-carriage width	mm	1845
Working range	a Max. cutting height	mm	5610
	b Max. unloading height	mm	3950
	c Max. digging depth	mm	3710
	d Max. vertical digging depth	mm	3199
	e Max. digging reach	mm	6235
	f Max. digging reach at ground level	mm	6105
	g Max. lift height of the dozer blade	mm	445
	h Max. digging depth of the dozer blade	mm	400
	i Swing radius (min.)	mm	2475
Machine weight	Dozer blade length × width	mm	1960X390
	with rubber track	kg	5700
	with steel track	kg	5770
	Standard bucket capacity	m ³	0.18
	Digging force (bucket) (ISO)	kN	46.8
	Digging force (arm) (ISO)	kN	31.1
	Maximum traction force	kN	49
	Slew angle (boom)	°	R50/L70
	Traveling speed (Max/Min)	km/h	4.07/2.43
	Gradeability	°	35
	Ground pressure	kPa	33.87
	Swing speed	rpm	9.4
Engine	Brand	KUBOTA	
	Model	V2607-DI-T-ET21	
	Type	4-cylinder and 4-stroke water cooling	
	Displacement	L	2.615
	Power/speed (gross/net)	kW/rpm	36.5/2000 36/2000
	Fuel tank capacity	L	70
Primary pump	Type	2 variable plunger pumps and 1 gear	
	Displacement	L/min	2x59+42
	Pressure of main relief valve	MPa	2 × 24.5 + 21
	Hydraulic tank capacity	L	70



Load Capacity:

Lift Point Height	Lift Point Radius(MAX)		Lift Point Radius(5.0m)		Lift Point Radius(4.0m)		Lift Point Radius(3.0m)	
	Over-front(kg)	Over-side(kg)	Over-front(kg)	Over-side(kg)	Over-front(kg)	Over-side(kg)	Over-front(kg)	Over-side(kg)
4.0	915.0*	832.5*	—	—	—	—	—	—
3.0	765.0*	675.0*	—	—	1080.0*	937.5*	—	—
2.0	705.0*	577.5*	753.8*	637.5*	1125.0*	930.0*	1590.0*	1402.0*
1.0	675.0*	547.5*	682.5*	607.5*	855.0*	847.5*	1290.0*	1290.0*
0.0	622.5*	540.0*	630.0*	577.5*	907.5*	780.0*	1350.0*	1125.0*
-1.0	682.5*	600.0*	—	—	862.5*	735.0*	1267.5*	1065.0*
-2.0	795.0*	727.5*	—	—	855.0*	750.0*	1140.0*	990.0*



Notes:

- Load with * is limited by hydraulic capacity and based on ISO 10567. Rated loads do not exceed 87% of hydraulic capacity.
- Load without * is limited by tipping load and based on ISO 10567. Rated loads do not exceed 75% of tipping capacity.
- The excavator bucket, hook, sling and other lifting accessories are not included in this table.