

CONSTRUCTION EQUIPMENT

Simmler *Vermietung*
Verkauf *Reparatur*
Baumaschinen

SUNWARD
INNOVATION LEADS TO VALUE

SKID-STEER LOADERS

SWL 2830 | SWL 3230 | SWL 4038

Engine Power: 48.6 - 55.4 kW

Machine Weight: 2 830 - 3 650 kg

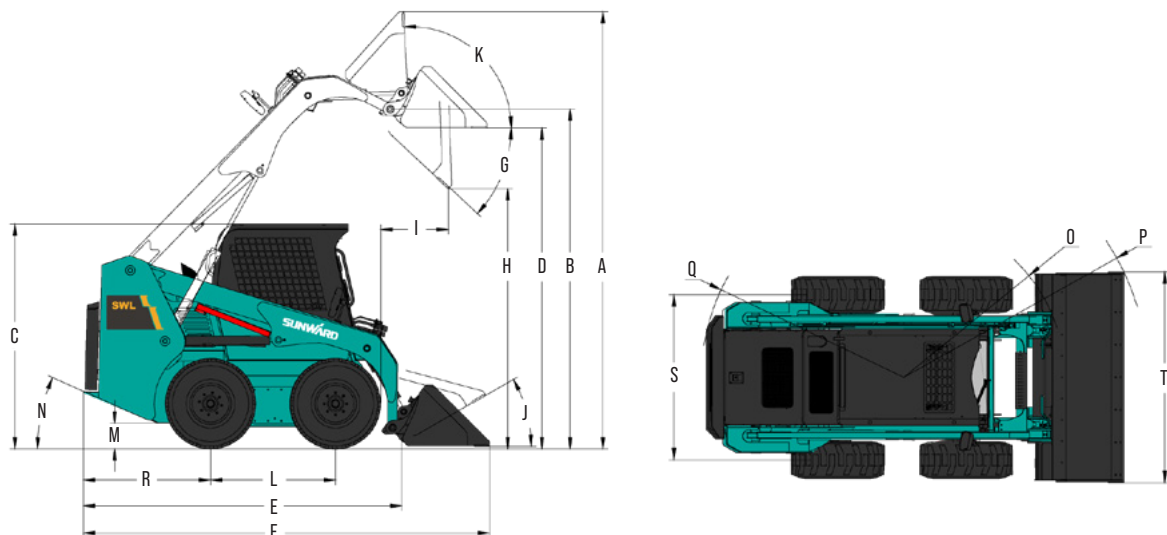
Rated Operating Capacity: 750 - 1 300 kg



TECHNICAL PARAMETERS

		SWL 2830	SWL 3230	SWL 4038
PERFORMANCE	Operating weight	2 830 kg	3 500 kg	3 700 kg
	Rated operating capacity	750 kg	1 100 kg	1 300 kg
	Tipping load	1 500 kg	2 200 kg	2 600 kg
	Breakout force curl	2 000 kg	2 480 kg	3 450 kg
	Breakout force lift	1 900 kg	2 430 kg	2 600 kg
	Travel speed	13 km/h	12.6 km/h	12-18 km/h
DIMENSIONS	Overall dimension (L × W × H) (standard bucket)	3 307 × 1 600 × 2 014 mm	3 724 × 1 830 × 2 068 mm	3 735 × 2 015 × 2 068 mm
	A Maximum overall height	3 850 mm	4 020 mm	4 110 mm
	B Bucket pin height at maximum lift	3 002 mm	3 123 mm	3 214 mm
	C Height to top of cab	2 014 mm	2 068 mm	2 068 mm
	D Height to bottom of level bucket	2 834 mm	2 948 mm	3 044 mm
	E Length without bucket	2 604 mm	2 965 mm	2 984 mm
	F Length with bucket on ground	3 307 mm	3 724 mm	3 735 mm
	G Maximum dump angle	42 deg	43 deg	41 deg
	H Clearance at maximum lift and dump	2 320 mm	2 395 mm	2 493 mm
	I Reach at maximum lift and dump	475 mm	625 mm	915 mm
	J Rack back angle bucket on the ground	30 deg	30 deg	30 deg
	K Rack back angle at maximum height	97 deg	93 deg	89 deg
	L Wheelbase	996 mm	1 148 mm	1 188 mm
	M Ground clearance	212 mm	205 mm	237 mm
	N Departure angle	25 deg	26 deg	28 deg
	O Turning radius from center - Coupler	1 235 mm	1 344 mm	1 328 mm
	P Turning radius from center - Bucket	1 953 mm	2 201 mm	2 254 mm
	Q Turning radius from center - Machine rear	1 531 mm	1 747 mm	1 751 mm
	R Bumper overhang behind rear axle	1 001 mm	1 159 mm	1 127 mm
	S Width over tires	1 293 mm	1 475 mm	1 474 mm
T Bucket width	1 600 mm	1 830 mm	2 015 mm	
ENGINE	Brand	KUBOTA	KUBOTA	KUBOTA
	Model	V2403-CR-TE4B	V3307-CR-TE5B	V3307-CR-TE5B
	Type	Diesel, 4 cylinders, water cooled	Diesel, 4 cylinders, water cooled	Diesel, 4 cylinders, water cooled
	Emission rating	EU Stage V	EU Stage V	EU Stage V
	Output	47.9/2 700 kW/rpm	54.6/2 600 kW/rpm	54.6/2 600 kW/rpm
	Max torque	198.5/1 600 N*m/rpm	265/1 500 N*m/rpm	265/1 500 N*m/rpm
ELECTRICAL SYSTEM	Starter	12V/2.0 kW	12V/3.0 kW	12V/3.0 kW
	Alternator rating	12V/60A	12V/80A	12V/80A
	Battery	120 Ah	120 Ah	120 Ah
HYDRAULIC SYSTEM	Hydraulic flow (standard)	65 L/min	84 L/min	89 L/min
	Hydraulic flow (high)	95 L/min	125 L/min	130 L/min
	Hydraulic pressure (standard)	21 Mpa	21 Mpa	21 Mpa
HYDRAULIC OIL TANK CAPACITY		23 L	33 L	34 L
FUEL TANK CAPACITY		75 L	110 L	95 L

DIMENSIONS



EQUIPMENT

THE STANDARD AND OPTIONAL EQUIPMENT VARIES FROM COUNTRY TO COUNTRY. FOR MORE INFORMATION, PLEASE CONTACT US.

		STANDARD EQUIPMENT	OPTIONAL EQUIPMENT
CAB	FOPS/TOPS cab	•	
	Safety armrest	•	
	Adjustable seat	•	
	Mechanical suspension seat		•
	Centralized panel	•	
	Double accelerator control system	•	
	Pilot control operating system	•	
	Fan heater	•	
	Air conditioning		•
Lift cylinder safety bar		•	
FRONT WORKING DEVICES	Standard quick coupler	•	
	Standard bucket	•	
	Four-in-one bucket		•
	Pallet fork		•
	Standard tires	•	
	Solid tires		•
HYDRAULIC SYSTEM	Boom emergency descent	•	
	Hydraulic auto-level system	•	
	Closed hydrostatic travelling system	•	
	Standard or high flow hydraulic system	•	
ELECTRICAL SYSTEM	Front LED working light	•	
	Warning beacon light	•	
	Travelling alarm system (backward)	•	
	Horn	•	
	External power supply		•
	Attachment electronic control system		•
	Rear LED working light		•
OTHERS	Additional counter weight		•

WORK TOOLS



Sunward has one or more dealers
in each of these  countries.

Please check our website for our current list of dealers.



SUNWARD EUROPE HEAVY INDUSTRY N.V

✉ Havenlaan 1
B-3980 TESSENDERLO
Belgium

☎ +32 (0) 11 43 46 66
▶ info.eu@sunward.cc
🌐 www.sunward.eu

DEALER CONTACTS

Simmler *Vermietung
Verkauf
Reparatur*
Baumaschinen

Buechstr. 25, 8645 Jona 055 212 69 50
www.simmler.swiss