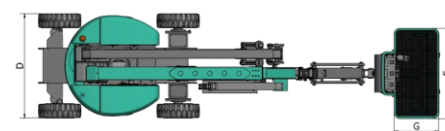
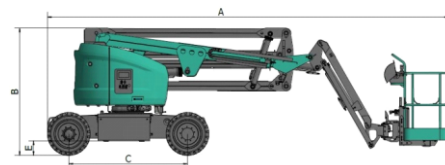


SWA16JE

Self-propelled electric boom type aerial work platform

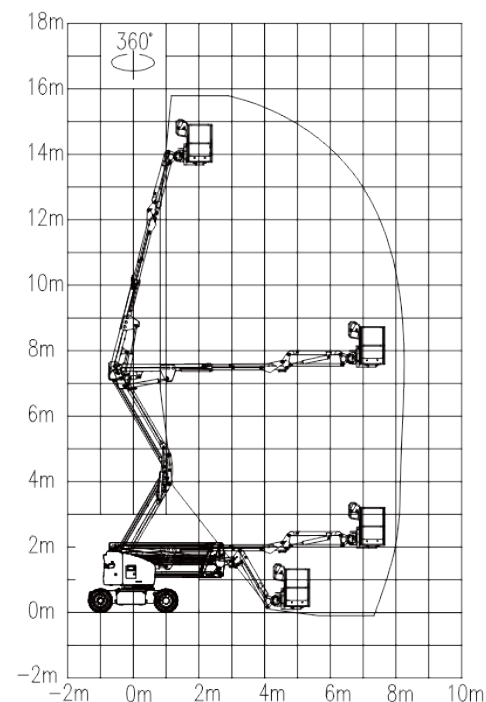
SUNWARD

Simmler *Vermietung Verkauf Reparatur*
Baumaschinen



Dimension		
Maximum platform height		13.8m
Maximum working height		15.8m
Maximum horizontal span		7.74m
Maximum horizontal span height		7.6m
A	Length - retracted	6.8m
	Length - transported	5.7m
B	Height - retracted	2.13m
C	Wheel base	2.0m
D	Overall width	1.75m
E	Ground clearance - intermediate	0.24m
F	Length of working platform	1.45m
G	Width of working platform	0.76m

Performance		
Rated load		230kg
Maximum number of workers		2
Platform rotation		160°
Rotary turntable		360° continuously
Turntable tail swing		0.2
Travel speed (retracted)		5.2km/h
Travel speed (extended)		0.8km/h
Turning radius (inner/outer)		2.1m / 5.3m
Gradeability - four-wheel drive - retracted		30%
Maximum allowable working angle		3°
Power source		48/420V/Ah
Hydraulic oil tank capacity		42L
Drive motor		AC 32V/3.56kW
Tyre		250-15/70
Overall weight		7800kg



* Working height is equal to platform height plus 2m.

* Gradeability is suitable for driving on slopes; for details, please refer to the Operator's Manual for slope grades.

SWA16JE

Self-propelled electric boom type
aerial work platform

Simmler *Vermietung
Verkauf
Reparatur*

Baumaschinen

Buechstr. 25, 8645 Jona 055 212 69 50
www.simmler.swiss



Standard features

◆ Chronograph	◆ Telecommunication system	◆ emergency descent system
◆ Tilt protection system	◆ 360 continuous rotation turntable	◆ buzzer
◆ Load sensing system	◆ strobe lamp	◆ loudspeaker
◆ Fault diagnosis System	◆ hydrostatic automatic leveling system	

Options features

◆ Air pipe to platform	◆ platform work lamp	◆ AC power is connected to platform
◆ GPS tracking system	◆ foam filled tires	◆ biodegradable hydraulic oil

SUNWARD INTELLIGENT EQUIPMENT CO.,LTD.

Add: Sunward Industrial Park, No. 1335 Liangtang Road (E), Xingsha, Changsha, Hunan, China.
Tel: +86 731 8640 7779 E-mail: marketing@sunward.cc Web: www.sunward.com.cn

SUNWARD